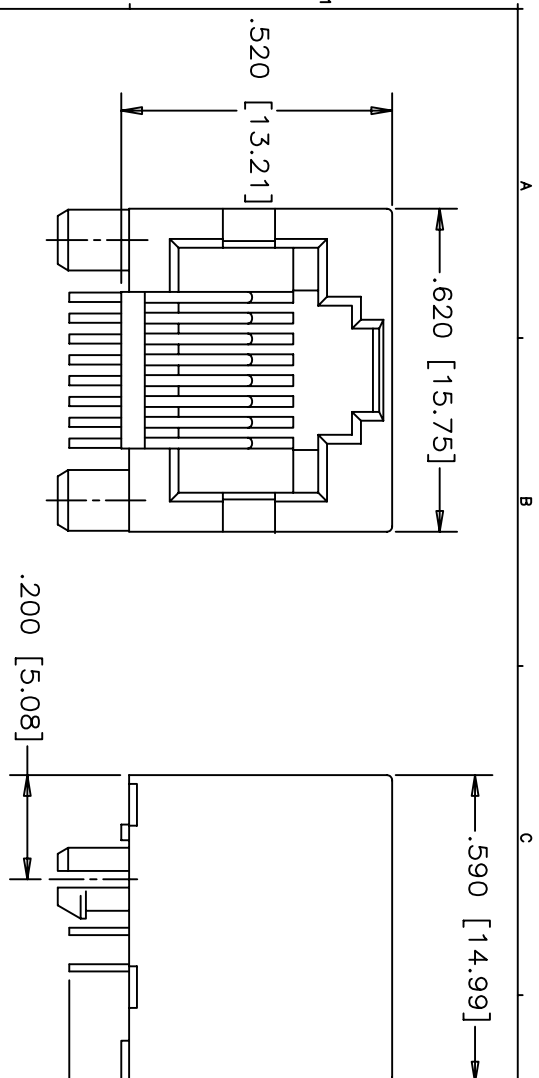
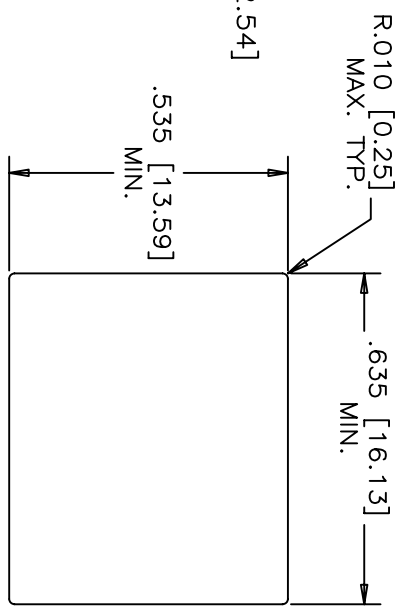


REVISIONS			
SYM ZONE	ECN, ERN NO.	DATE	APPRD.
C	PROPOSAL	MAY 15/08	LCHAW

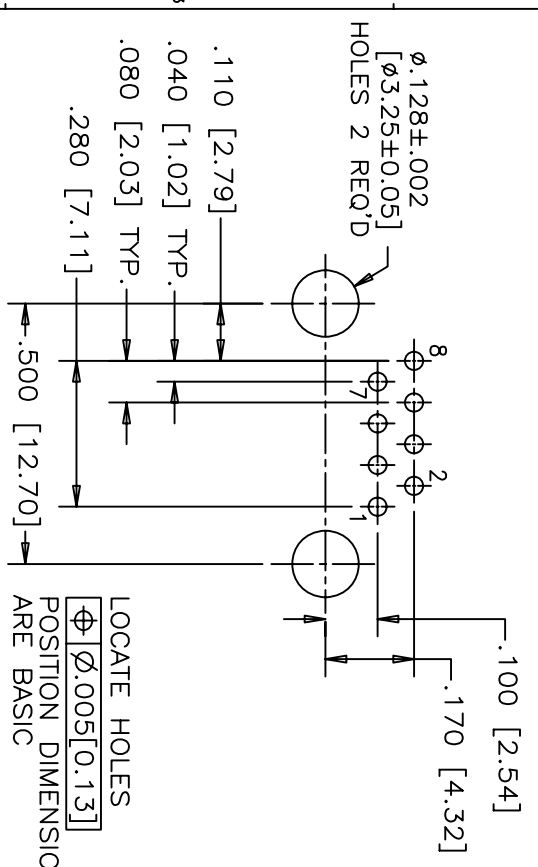


FRONT VIEW

SIDE VIEW



RECOMMENDED PANEL CUTOUT



LOCATE HOLES  
 $\Phi$  .005 [0.13]  
 POSITION DIMENSIONS  
 ARE BASIC

MATERIALS:

PLASTIC HOUSING: HIGH TEMPERATURE THERMOPLASTIC  
 FLAMMABILITY RATING UL 94V-0,  
 COLOR: BLACK

CONTACTS:

PHOSPHOR BRONZE  
 PLATING: 50  $\mu$ " [1.27 MICRONS]  
 MIN. GOLD ON MATING SURFACES.  
 50  $\mu$ " [1.27 MICRONS]  
 MIN. NICKEL UNDERPLATE  
 100  $\mu$ " [2.54 MICRONS]  
 MIN. MATTE TIN ON CONTACT TAILS.

RECOMMENDED P.C.B. LAYOUT  
 (COMPONENT SIDE OF BOARD)

PART NUMBER: RJHSE-5080

TOLERANCE ARE :

DECIMALS	ANGLES
X $\pm$ .025	X' $\pm$ 3.0'
.XX $\pm$ .020	.X' $\pm$ 2.0'
.XXX $\pm$ .015	.XX' $\pm$ 1.0'

DESIGNED	DATE
PAUL WANG	06/03/08
CHECKED CHIGOW	
I. E. APPRD.	
D. A. APPRD.	
ENG. REL. NO.	
REF.	

DRAWN	DATE
PAUL WANG	06/03/08
CHECKED CHIGOW	
I. E. APPRD.	
D. A. APPRD.	
ENG. REL. NO.	
REF.	

TITLE		DWG	DRAWING NO.	REV.
Amphenol Canada Corp.			P-RJHSE-5080	C
SINGLE-PORT HIGH SPEED RJ45 MODULAR JACK, WITHOUT LED, 8 POS. 8 CONTACTS, NO SHIELD-RHS COMPLIANT				

THIS DOCUMENT CONTAINS PROPRIETARY INFORMATION AND SUCH INFORMATION  
 MAY NOT BE DISCLOSED TO OTHERS FOR ANY PURPOSE OR USED FOR MANUFACTURING  
 PURPOSES WITHOUT WRITTEN PERMISSION FROM AMPHENOL CANADA CORP.

A B C D E F  
 1 2 3 4  
 SCALE: WT. SURF. SHEET 1 OF 1